

I-T Characteristics / 時間-電流特性

Ampere Rating 額定電流	% of Ampere Rating 額定電流%	Opening Time 熔斷時間
100mA~10A	100%	4 Hrs Min. / 最短4小時
	135%	1 Hrs Max. / 最長1小時
	200%	120s Max. / 最長120秒
	1000%	10ms Min. / 最短10毫秒

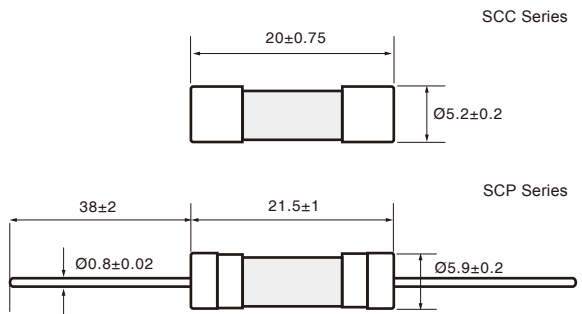
In accordance with UL 248-1 / -14 standard / 遵循 UL 248-1 / -14



Product Features / 產品特性

Materials 材質	Body / 本體: ceramic tube / 陶瓷管 Lead / 引線: tinned copper wire / 鍍錫銅線 Cap / 銅帽: brass with nickel plated / 銅鍍鎳 Element / 熔絲: alloy / 合金線
Operating Temperature 操作溫度	-55°C to +125°C (consider de-rating / 需考慮溫度折減)
Solderability 可焊性	260°C, ≤ 3s. (wave / 波峰焊) 350±10°C, ≤ 3s. (soldering iron / 烙鐵焊)
Resistance to Soldering Heat 耐焊接熱	260°C, 10s. (wave / 波峰焊) 350°C, 5s. (soldering iron / 烙鐵焊)
Recommended Soldering Parameters 建議焊錫參數	Wave soldering parameter / 波峰焊 Soldering pot temperature / 錫爐溫度: 260°C Max Solder dwell time / 焊接時間: 2~5s
	Hand welding parameter / 手工焊 Soldering iron temperature / 烙鐵溫度: 350±5°C Solder dwell time / 焊接時間: 5s Max.
Storage Conditions 儲存條件	Can be stored for 3 years under tight seal condition at temperature of +10°C~60°C, relative humidity ≤ 75%. 在溫度+10°C~60°C, 相對濕度 ≤ 75% 的密閉條件下可存放 3 年。 At most can be kept 30 days at temperature +10°C~60°C, relative humidity ≤ 95% under covered conditions. 在溫度+10°C~60°C, 相對濕度為 95% 的非露天最多可存放 30 天。

Dimensions / 尺寸圖 (Unit / 單位:mm)



Electrical Characteristics / 電氣特性

Type 型號	Rated Current 額定電流	Rated Voltage 額定電壓	Breaking Capacity 分斷能力	Safety Approvals 安全認證	
				UL US	PSI JET
SCC/SCP	100mA	125V/250V	100mA~10A 10000A@125V AC	●	
SCC/SCP	125mA	125V/250V		●	
SCC/SCP	160mA	125V/250V		●	
SCC/SCP	200mA	125V/250V		●	
SCC/SCP	250mA	125V/250V		●	
SCC/SCP	300mA	125V/250V		●	
SCC/SCP	315mA	125V/250V		●	
SCC/SCP	350mA	125V/250V		●	
SCC/SCP	375mA	125V/250V		●	
SCC/SCP	400mA	125V/250V		●	
SCC/SCP	500mA	125V/250V	100mA~1A 35A@250V AC	●	
SCC/SCP	600mA	125V/250V		●	
SCC/SCP	630mA	125V/250V		●	
SCC/SCP	750mA	125V/250V		●	
SCC/SCP	800mA	125V/250V		●	
SCC/SCP	1.00A	125V/250V		●	●
SCC/SCP	1.25A	125V/250V		●	●
SCC/SCP	1.50A	125V/250V		●	●
SCC/SCP	1.60A	125V/250V		●	●
SCC/SCP	2.00A	125V/250V		●	●
SCC/SCP	2.50A	125V/250V	3.6A~10A 200A@250V AC	●	●
SCC/SCP	3.00A	125V/250V		●	●
SCC/SCP	3.15A	125V/250V		●	●
SCC/SCP	3.50A	125V/250V		●	●
SCC/SCP	4.00A	125V/250V		●	●
SCC/SCP	5.00A	125V/250V		●	●
SCC/SCP	6.00A	125V/250V		●	●
SCC/SCP	6.30A	125V/250V		●	●
SCC/SCP	7.00A	125V/250V		●	●
SCC/SCP	8.00A	125V/250V		●	●
SCC/SCP	10.0A	125V/250V	●	●	